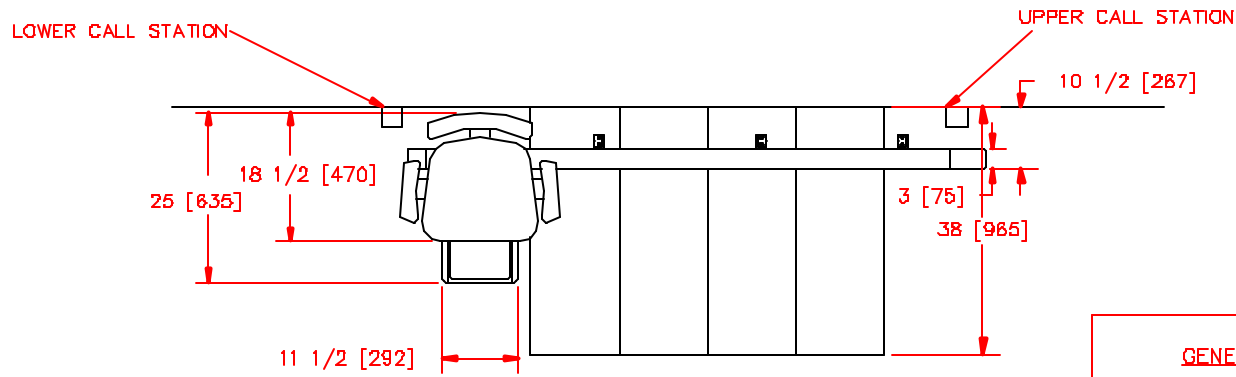
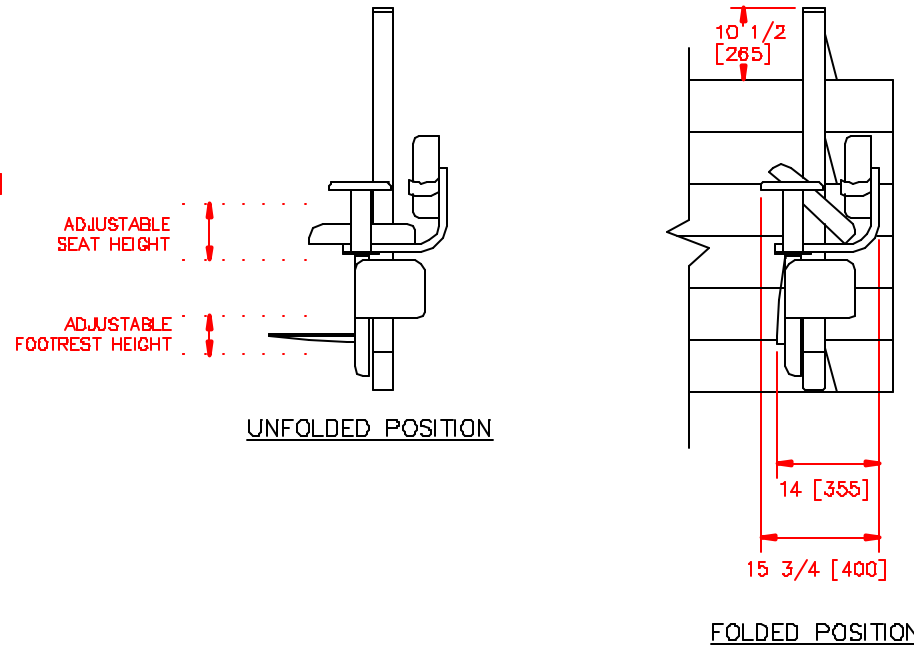
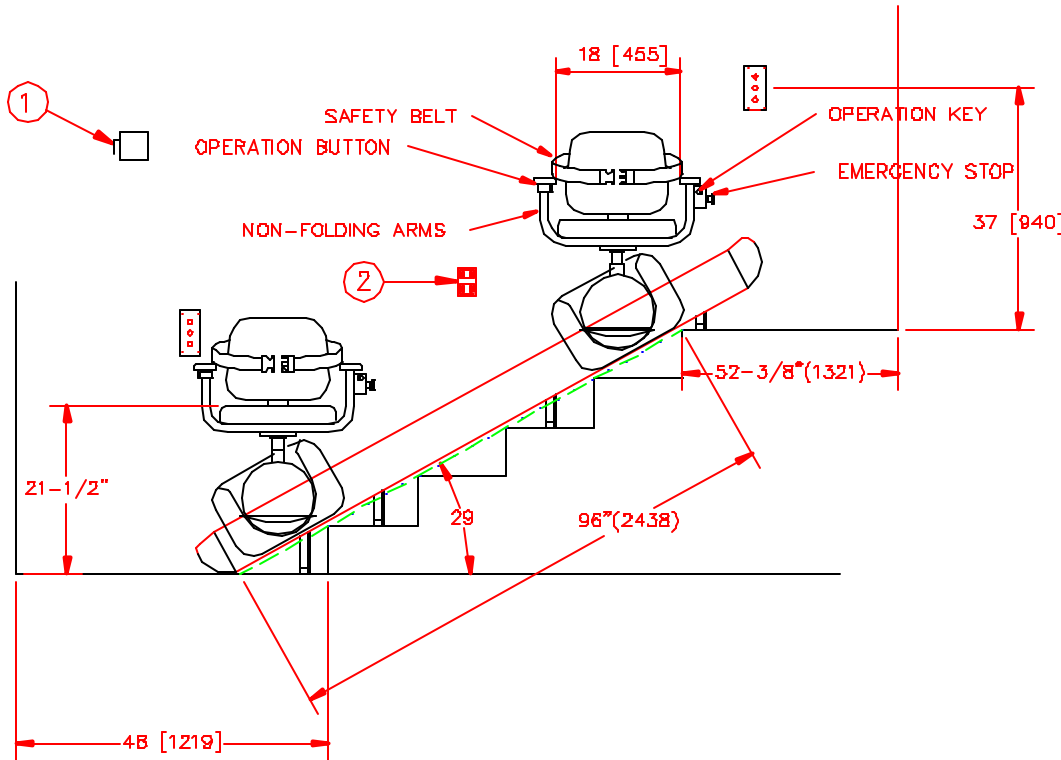


DIMENSIONS ARE IN INCHES [MM]

DIMENSIONS ARE PROVIDED FOR REFERENCE PURPOSES ONLY



PLAN VIEW

XXXX

PROJECT	: XXXXXX
INSTALLER	
PRODUCT	: SAVARIA B.07 PUBLIC STAIRLIFT
CAPACITY	: 300 Lb (136 kg)
ANGLE	: 29°
COLOR	: "ALMOND" BEIGE
RAIL	: ALUMINUM
CONTROLS	: UP/DOWN
MAX. TRAVEL	: 96"
DRIVE SYSTEM	: ROLLER CHAIN #40/SPROCKET
MOTOR	: 110 VDC
POWER	: 110 VAC/1 PH/60 HZ
SPEED	: 16 ft/min APPROX.

GENERAL SPECIFICATIONS:

- ① INSTALL A LOCKABLE FUSE DISCONNECT TO ISOLATE THE ELECTRIC CONTROLLER BY OTHERS
 - ② 110V, 15A ELECTRICAL OUTLET BY OTHERS
- ELECTRICAL SYSTEM CONFORMS TO ASME A17.5-1996 CAN/CSA B44.1-M96

MODEL: B.07	QTY.:1			
TOLERANCES IF NOT SPECIFIED				
DEC: ----	ANG: ----			
SCALE: ----	DRAWN BY: A. BOUCHARD	NO.	REVISIONS	DATE
MATERIAL: ----	DATE: 01/08/01	SERVICES INDUSTRIELS SAVARIA INC.		
DRAWING # B07_PUBLIC	REV# 1			