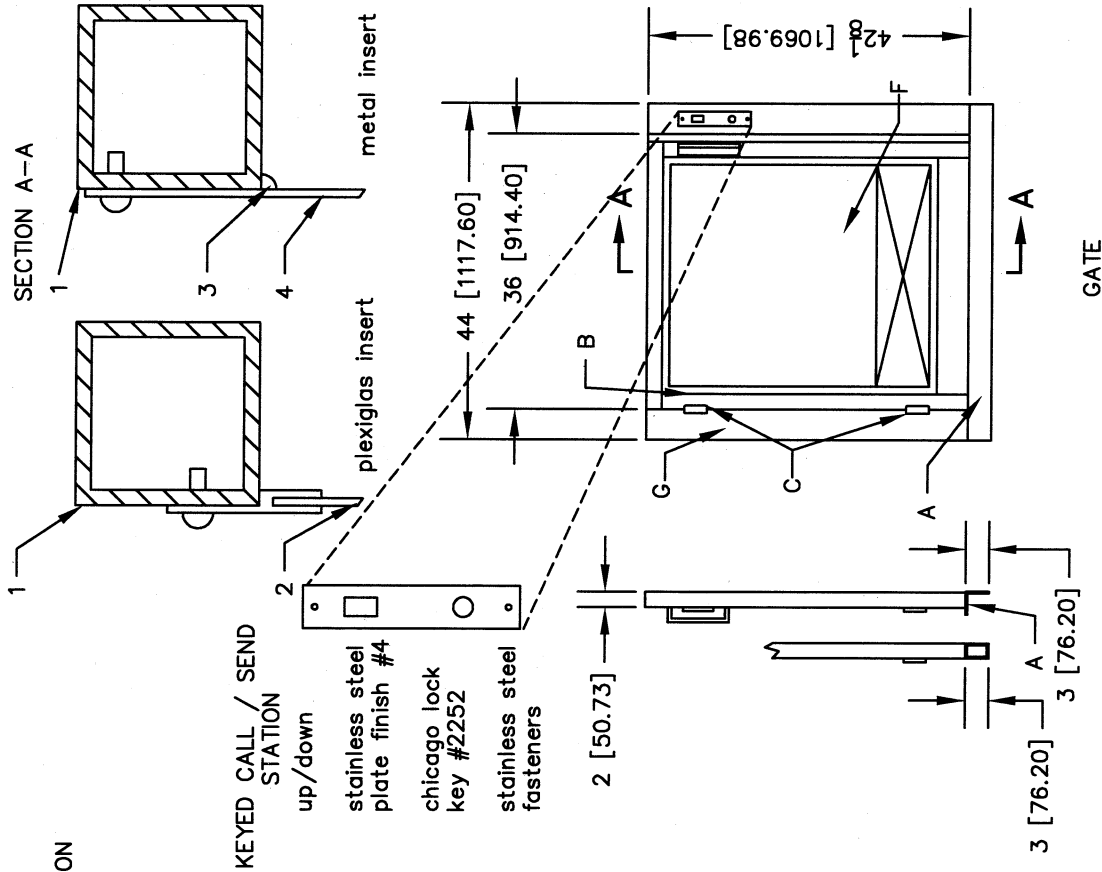
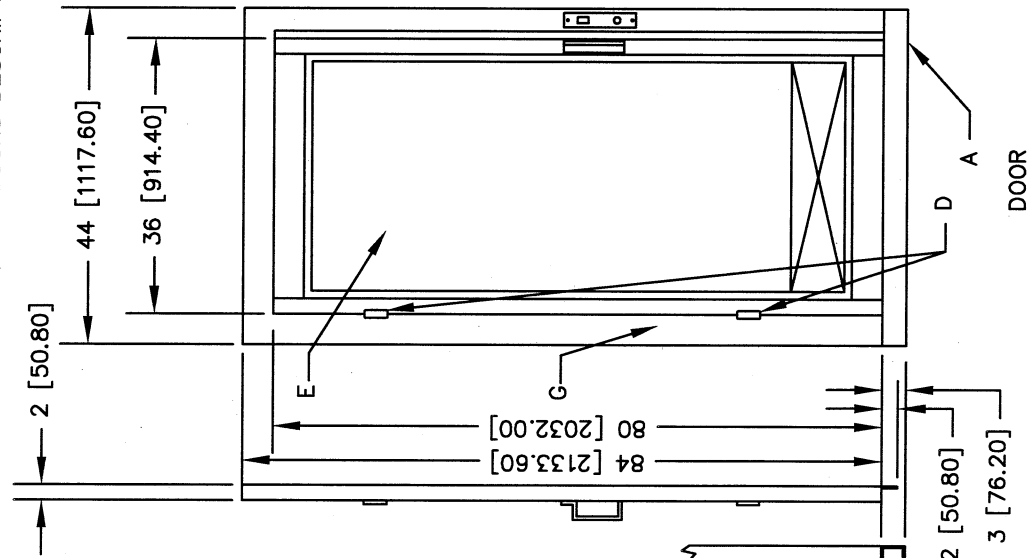


GATES AND DOORS DESCRIPTION

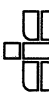


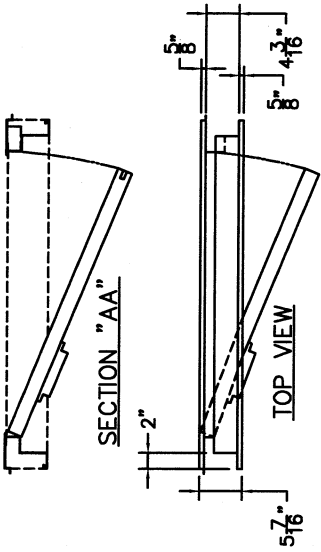
- A- gate and door angled sill (aluminium)
- B- door handle (aluminium)
- C- spring hinges 2x steel
- D- ball bearing hinges 3x (steel)
- E- plexiglas insert (acrylic)
- F- plexiglas or metal insert
- G- keyed call/send station (OPTION)

- 1- 2"x2"x1/8" aluminium gate frame (50.8 x 50.8 x 3.175)
- 2- 1/4" (6.35 mm) plexiglas insert (acrylic)
- 3- silicone joint
- 4- 20 Ga. metal insert (steel)

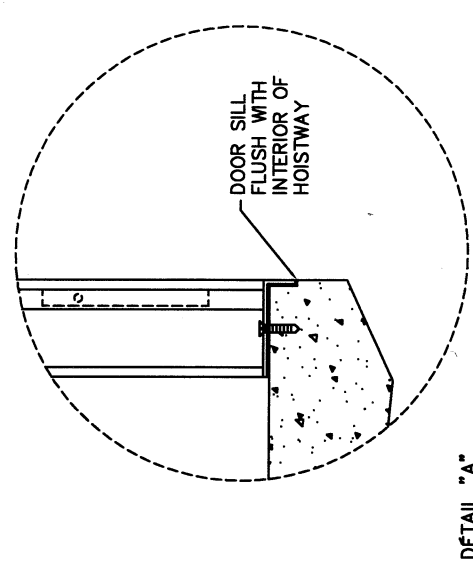
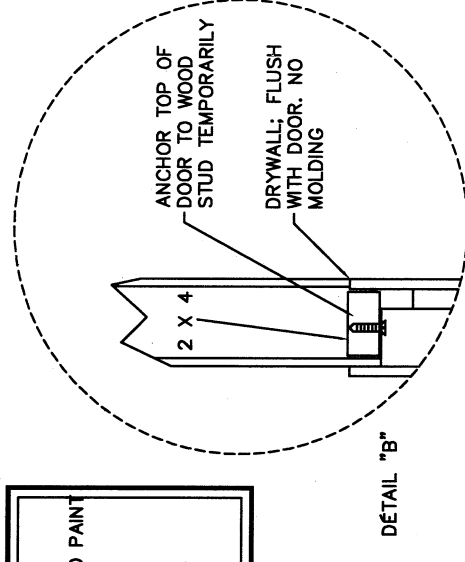
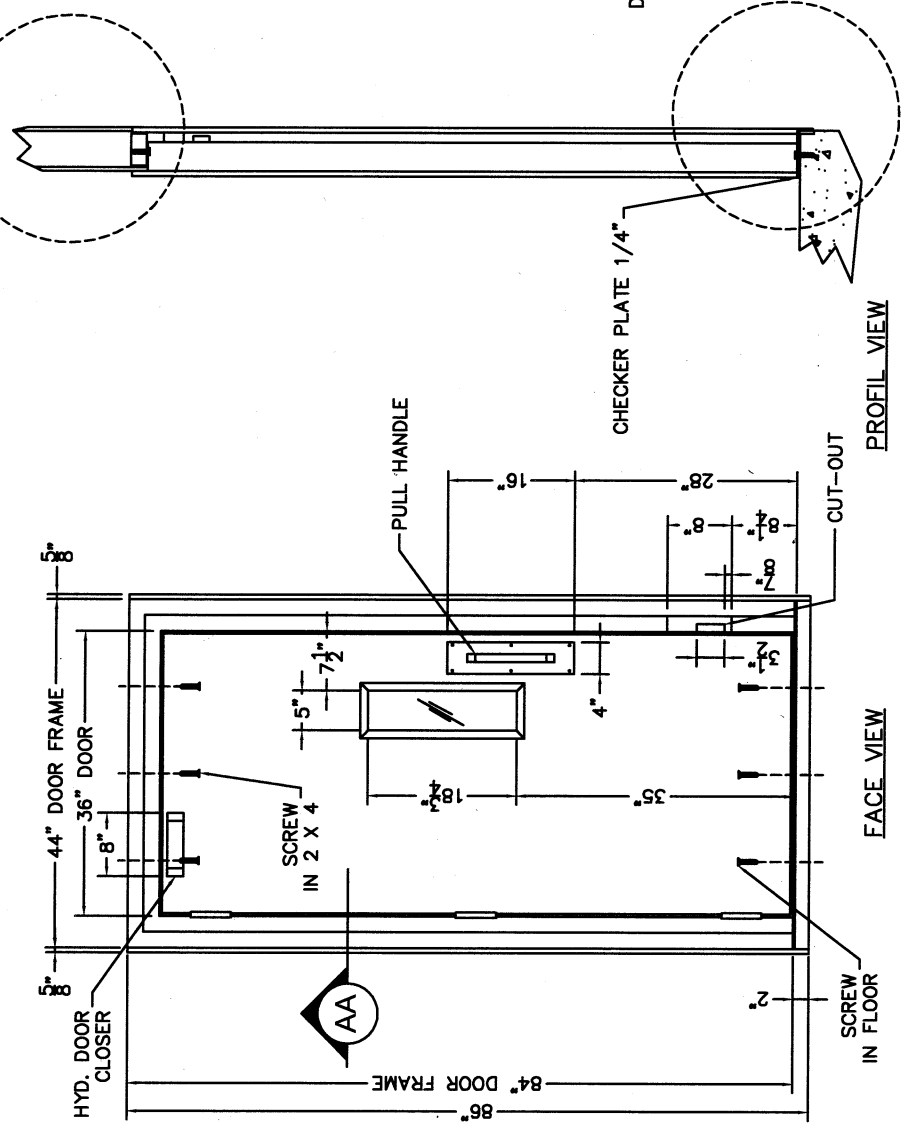
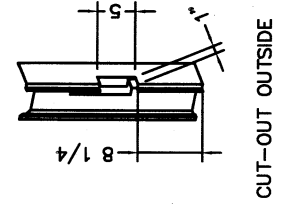
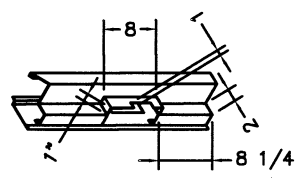
DIMENSIONS ARE IN INCHES
[DIMENSIONS ARE IN MILLIMETER]

MODEL: 1504P QTE:

TOLERANCES SI NON SPECIFIEES		REVISIONS		DATE	
DEC: +0.020	ANG: +0.5°	NO.			
ECHELLE: 1/20=1	DESSINE PAR: S.A.R.S	 SAVARIA INDUSTRIELS SAVARIA INC.			
MATERIAUX:	DATE: 2000/06/10				
DESSIN NO: V03-02164-1	REV# FEUILLE: 0 1/1	TITRE: DETAILS DOORS AND GATES (DROITE)			



SPECIFICATION
 STEEL DOOR & DOOR FRAME ULC 1 1/2h. (NO PAINT)
 NON SKID SILL
 WINDOWS 5" X 18 3/4" CLEAR GLASS MESH
 3 HEAVY DUTY BEARING HINGES
 2 SPEEDS HYD. DOOR CLOSER
 STAINLESS STEEL #4 PLATE
 KICK PLATE 10" X 14 1/2" X #20
 PUSH PLATE



DIMENSIONS ARE IN INCHES

MODEL: V1504P QTY: 1

TOLERANCES IF NOT SPECIFIED	DEC: ±0.020	ANG: ±0.5°
SCALE:	DRAWN BY:	S.A.R.E.S.
MATERIAL:	DATE:	00/07/04
SEE NOTE	REV#	PAGE
V03-02190-1	1	1/1

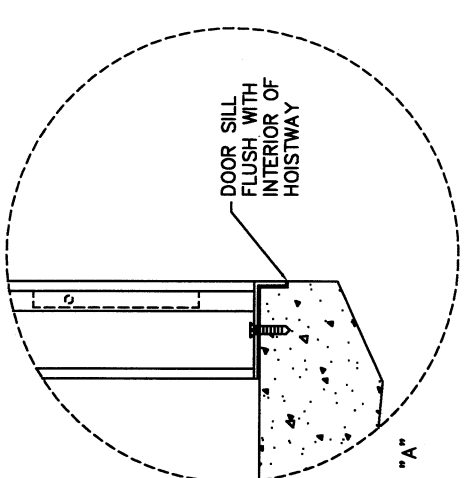
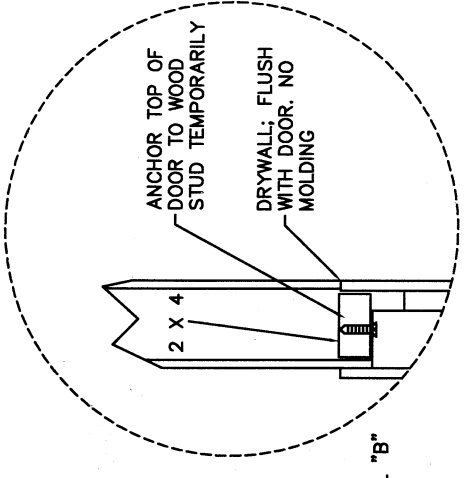
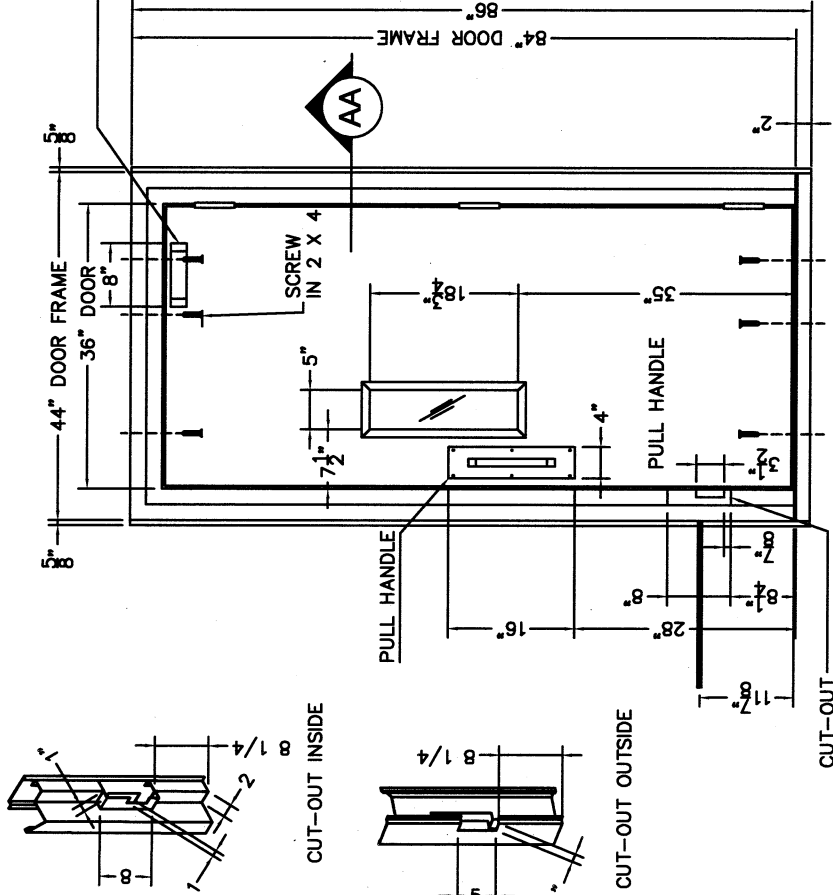
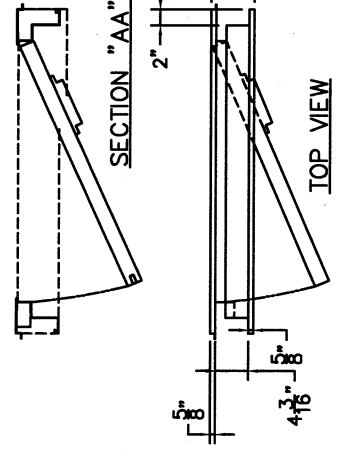
NO. REVISIONS DATE

SAVES SERVICES INDUSTRIELS SAVARIA INC.

TITRE: RIGHT LIFT FOR HANDICAPPED

SPECIFICATION

STEEL DOOR & DOOR FRAME ULC 1 1/2h.(NO PAINT)
 NON SKID SILL
 WINDOWS 5" X 18 3/4" CLEAR GLASS MESH
 3 HEAVY DUTY BEARING HINGES
 2 SPEEDS HYD. DOOR CLOSER
 STAINLESS STEEL #4 PLATE
 KICK PLATE 10" X 14 1/2" X #20
 PUSH PLATE



DIMENSIONS ARE IN INCHES

MODEL: V1504P QTY: 1

TOLERANCES IF NOT SPECIFIED

DEC: 80.020 ANG: ±0.5°

SCALE: DRAWN BY: NO. REVISIONS DATE

MATERIAL: S.ARES

SEE NOTE DATE: 00/07/04

DRAWING # REV# / PAGE: V03-02189-1 1 1/1

TITLE: LEFT LIFT FOR HANDICAPPED

SIB SERVICES INDUSTRIES SAVARIA INC.