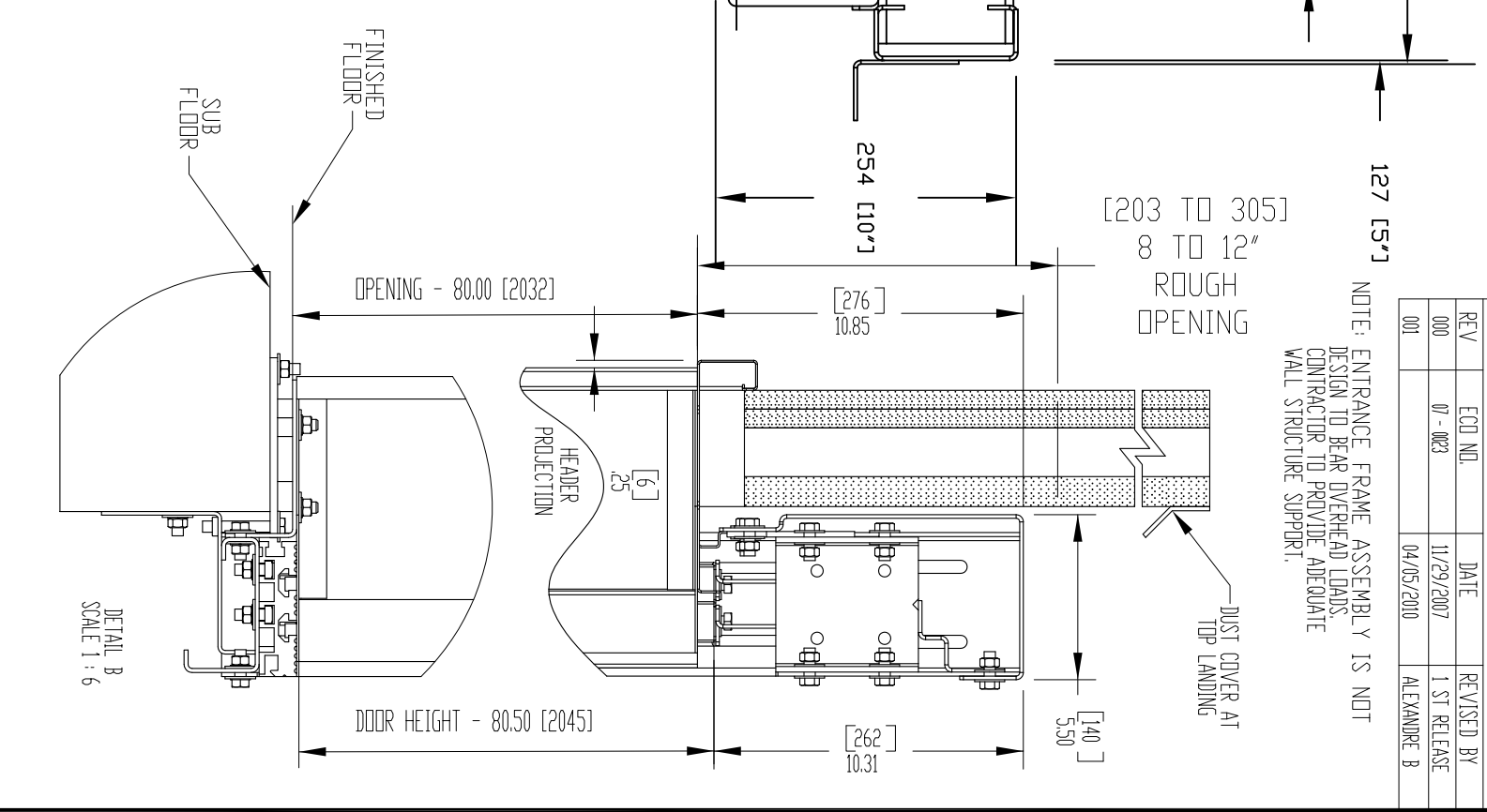
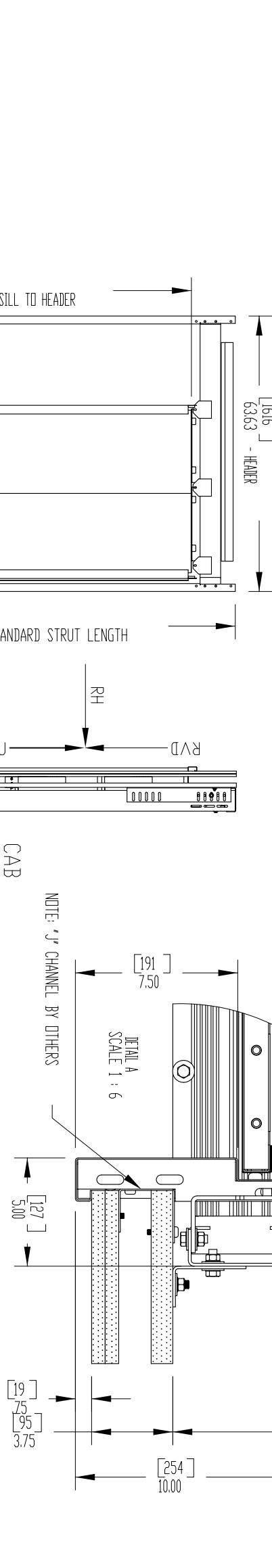
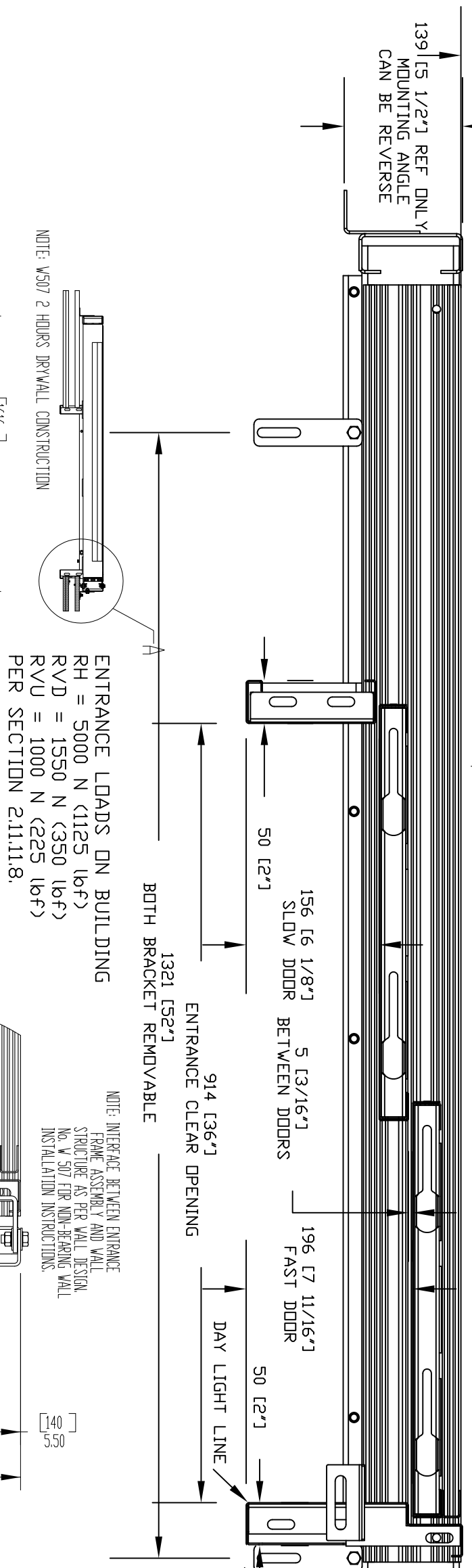
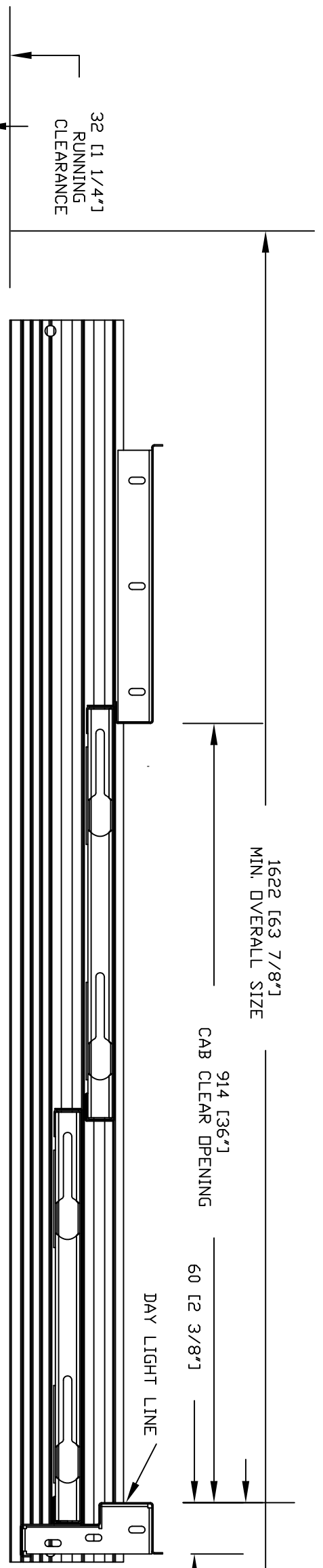


REVISIONS			
REV	ECO NO	DATE	REVISED BY
000	07-0023	11/29/2007	1 ST RELEASE
001		04/05/2010	ALEXANDRE B

NOTE: ENTRANCE FRAME ASSEMBLY IS NOT DESIGN TO BEAR OVERHEAD LOADS. CONTRACTOR TO PROVIDE ADEQUATE WALL STRUCTURE SUPPORT.



RIGHT HAND SHOWN

LANDING 2 SP. DOOR ASSEMBLY

DRYWALL CONSTRUCTION 36 X 80

CUSTOMER:

PROJECT:

ADDRESS:

DATE:

REVISION DATE:

COMPLETED BY:

JOB No.

SHEET No.

OFFICE USE ONLY:

CONFIGURATION VERSION STAMP: 21.5

MODULE VERSION STAMP: 0-S-4.3

Part No.

Variant No.

SAVARIA CONCORD

Your Accessibility Partners