

1622 [63 7/8"]
MIN. OVERALL SIZE

914 [36"]
CAB CLEAR OPENING

60 [2 3/8"]
DAY LIGHT LINE

127 [5"]

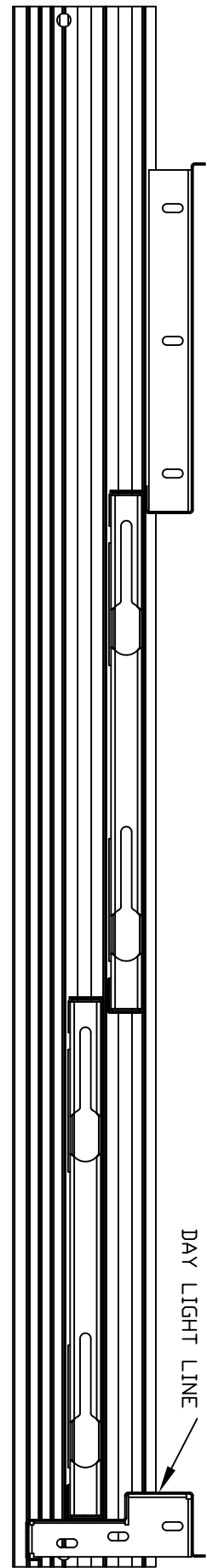
REVISIONS

REV	ECD NO.	DATE	REVISED BY
000	07 - 0023	12/03/2007	1 ST RELEASE
001	04/05/2010	ALEXANDRE B	

NOTE: ENTRANCE FRAME ASSEMBLY IS NOT DESIGN TO BEAR OVERHEAD LOADS. CONTRACTOR TO PROVIDE ADEQUATE WALL STRUCTURE SUPPORT.

32 [1 1/4"]
RUNNING
CLEARANCE

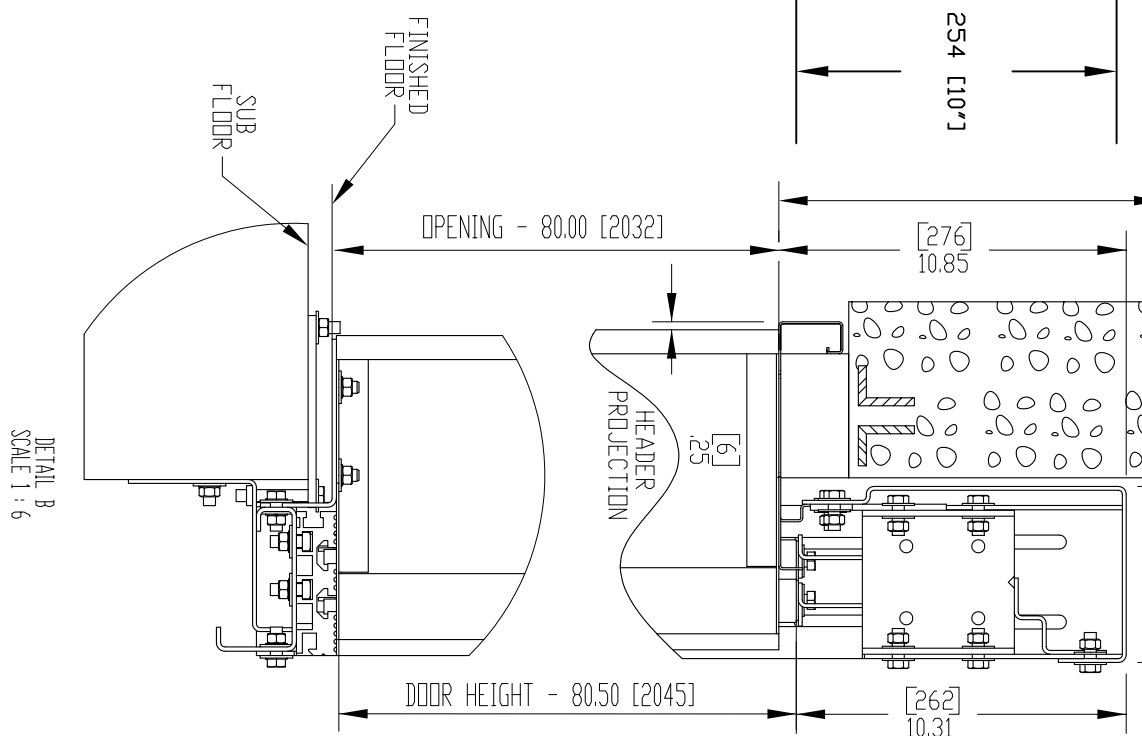
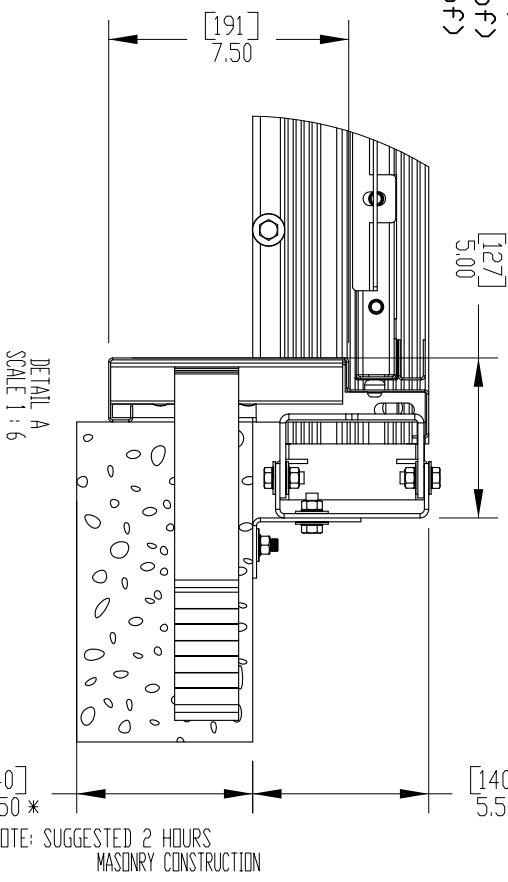
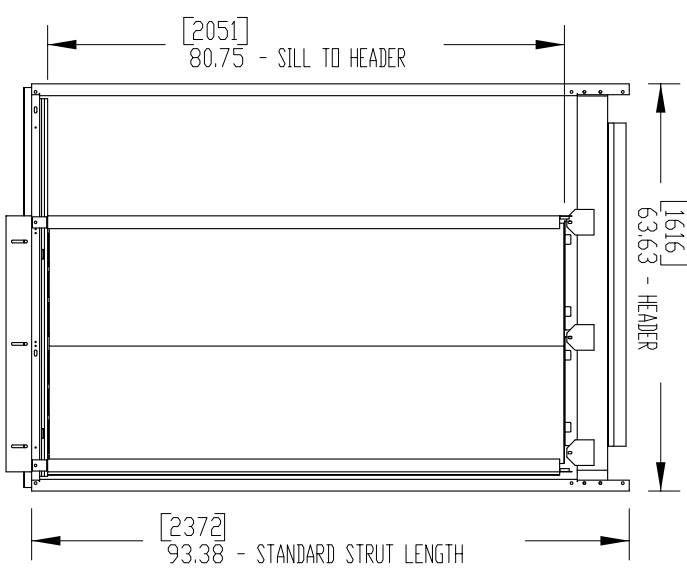
139 [5 1/2"] REF ONLY
MOUNTING ANGLE
CAN BE REVERSE



156 [6 1/8"] SLOW DOOR BETWEEN DOORS
196 [7 11/16"] FAST DOOR
50 [2"]
914 [36"] ENTRANCE CLEAR OPENING
1321 [52"] BOTH BRACKET REMOVABLE

ENTRANCE LOADS ON BUILDING
RH = 5000 N (1125 lbf)
RVD = 1550 N (350 lbf)
RVU = 1000 N (225 lbf)
PER SECTION 2.11.11.8.

NOTE: 2 HOURS MASONRY CONSTRUCTION



RIGHT HAND SHOWN

LANDING 2 SP. DOOR ASSEMBLY
MASONRY CONSTRUCTION 36 X 80

CUSTOMER: _____
PROJECT: _____
ADDRESS: _____

OFFICE USE ONLY:
CONFIGURATION VERSION STAMP: 21.5
MODULE VERSION STAMP: 0-S-4.3

DATE: _____
REVISION DATE: _____
COMPLETED BY: _____

SAVARIA CONCORD
Your Accessibility Partners

Part No. _____
Variant No. _____
JOB No. _____
SHEET No. _____