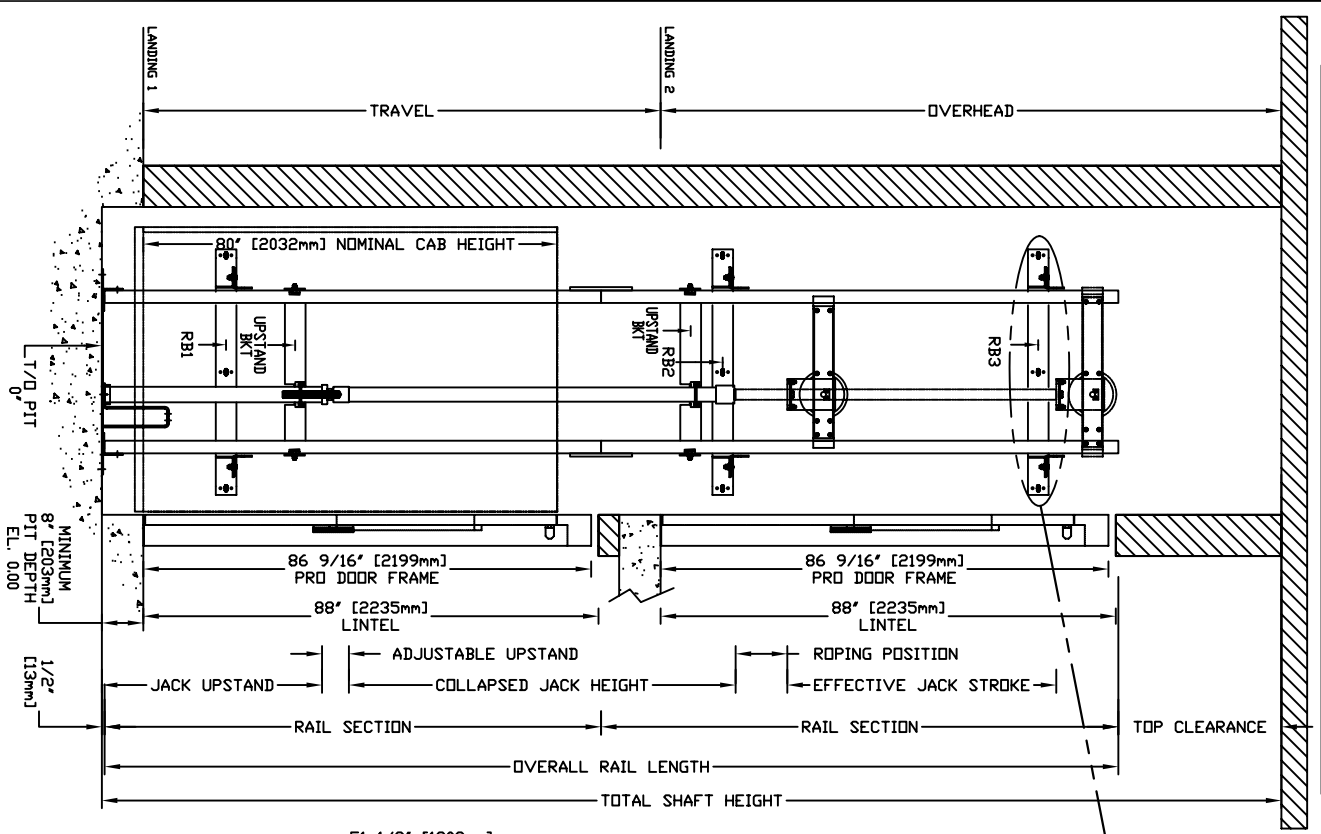
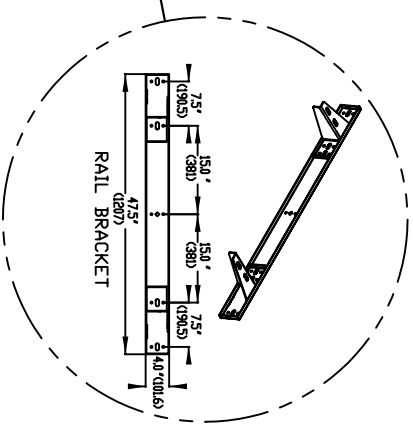
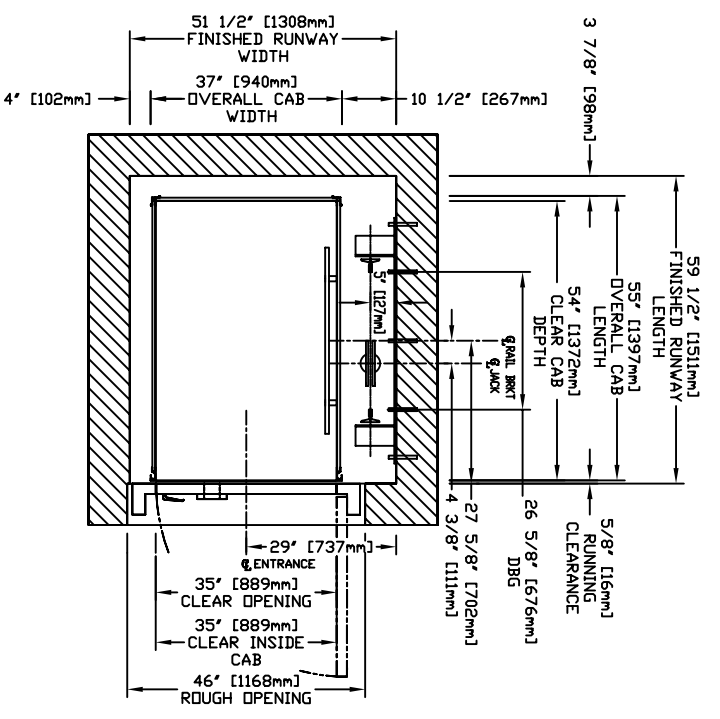


SECTIONAL VIEW - PROLIFT SCL Model 3554 TYPE 1R



PLAN VIEW - PROLIFT SCL Model 3554 TYPE 1R



RAIL FORCES	
*R1	*R2
3041bf.	1941bf.
RAIL WEIGHT = 80 lbs / ft	

RAIL BRACKET

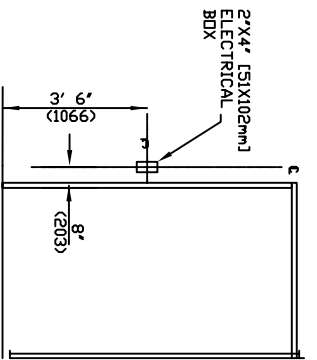
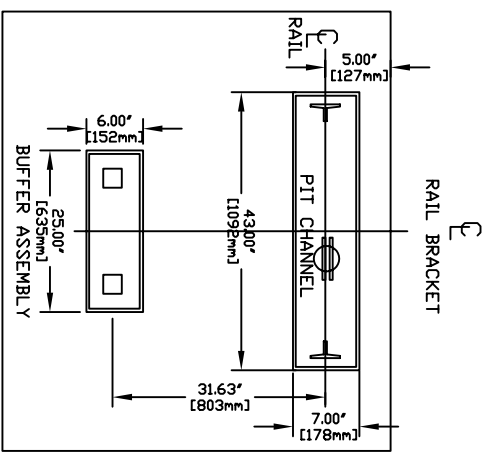
R3 NOTE:  
PIT FLOOR TO SUPPORT LOAD OF:  
56kips \* (INCLUDES IMPACT)  
FOR TOTAL PULL-OUT FORCE ON RAIL BRACKET,  
R1 MUST BE DOUBLED TO 6092LB.

TOP RAIL BRACKET	AT TOP OF HOISTWAY CONSULT YOUR REPRESENTATIVE FOR EXACT LOCATION	FLOOR No. REAR FRONT	FLOOR HEIGHT
RB3			
INTERMEDIATE RAIL BRACKET	96" [2438mm] ABOVE BOTTOM BRACKET		
RB2			
BOTTOM RAIL BRACKET	24" [610mm] ABOVE PIT FLOOR		
RB1			
TOTAL RISE			

PIT / OVERHEAD REQUIREMENTS			
MAX. SPEED (ft/min)	MIN. PIT	TOTAL TRAVEL	MINIMUM OVERHEAD
30	8" ***	92" (2337)	

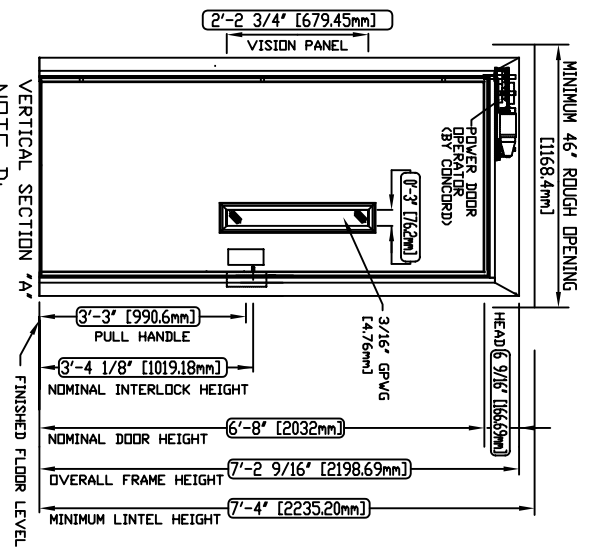
\*\*\* NOTE: Additional pit equipment required when over 36" [914.4mm] deep, consult your local dealer for details

DOCUMENT REVISION #0, DATE: 03/02/09



HALL FIXTURE LOCATION  
LEFT HAND AS SHOWN  
RIGHT HAND OPPOSITE  
RIGHT HAND BUTTON AT ALL FLOORS

VERTICAL SECTION 'A'-  
FLUSH PRO-AUTO DOOR



CAB LIGHTS	INPUT VOLTAGE (V/PH/CYCLE)	DISCONNECT SIZE (AMPS)	TIME DELAY (SECS)	FULL LOAD CURRENT (AMPS)
MOTOR INF	208/3PH/60HTZ	30	20	10.6
	230/1PH/60HTZ	60	30	17.0
	115/1PH	15		

\*ELECTRICAL

POWER SUPPLY- (SEE SPECIFICATIONS) LOCKABLE FUSED DISCONNECT WITH AUXILIARY CONTACT TO BRAKE THE BATTERY FEED, OR CIRCUIT BREAKERS WITH A 3-POLE BREAKER FOR BATTERY FEED REQUIRED, IN COMPLIANCE WITH ELECTRICAL CODE, AS FOLLOWS:  
LOCATED ON WALL ON LOCK JAMB SIDE OF MACHINE ROOM DOOR)  
PERMANENT POWER- BEFORE INSTALLATION CAN BEGIN, PERMANENT POWER MUST BE SUPPLIED.  
LIGHTING- OWNER/AGENT TO ENSURE AT LEAST 5 FTC OR 54 LUX AMBIENT LIGHTING OVER LIFT AREA.  
\*ENTRANCES  
FASCIA PANEL BELOW UPPER LEVEL ENTRANCE- WHERE REQUIRED, FASCIA PANEL MUST BE FASTENED TO A SOLID WALL AND BE PERPENDICULAR TO THE FLOOR AND WALLS. HOISTWAY FASCIA IS NOT SELF-SUPPORTING FOR LONG, CONTINUOUS RUNS VOID OF ENTRANCES. ADEQUATE SUPPORT FOR THE ENTRANCE ASSEMBLY- ENTRANCE ASSEMBLY MUST BE ADJUSTED TO ALIGN WITH PLATFORM AND INTERLOCK EQUIPMENT. OTHERS TO ALLOW AN ADEQUATE ROUGH OPENING.  
RETURN WALLS- RETURN WALLS AT ENTRANCES MUST BE BUILT-IN BY OTHERS AFTER ENTRANCE ASSEMBLY IS IN PLACE. ENTRANCE ASSEMBLY MUST BE SECURELY FASTENED TO WALLS BY ELEVATOR CONTRACTOR.

NOTE B

ALL INFORMATION IS SUBJECT TO CHANGE.  
PLEASE REFERENCE OUR ON-LINE DRAWINGS AT  
WWW.CONCORDLEVATOR.COM FOR THE MOST RECENT UPDATES

PROVISIONS BY OTHERS

\*GENERAL- THE HOISTWAY MUST BE IN ACCORDANCE WITH B355 SAFETY CODE FOR ELEVATORS AND ESCALATORS' (ASME A18.1) AND ALL STATE/PROVINCIAL AND LOCAL CODES.  
PLUMB HOISTWAY- DUE TO CLOSE RUNNING CLEARANCES OWNER/AGENT MUST ENSURE THAT HOISTWAY AND PIT (WHERE PROVIDED) ARE LEVEL, PLUMB AND SQUARE AND ARE IN ACCORDANCE WITH THE DIMENSIONS ON THESE DRAWINGS.  
MINIMUM OVERHEAD CLEARANCE- OWNER/AGENT MUST ENSURE MINIMUM OVERHEAD CLEARANCE IS IN COMPLIANCE WITH CODES.  
CONSTRUCTION SITE- OWNER/AGENT TO PROVIDE ALL MASONRY, CARPENTRY AND DRYWALL WORK AS REQUIRED AND SHALL PATCH AND MAKE GOOD (INCLUDING FINISH PAINTING) ALL AREAS WHERE WALLS/FLOORS MAY REQUIRE TO BE CUT, DRILLED OR ALTERED IN ANY WAY TO PERMIT THE PROPER INSTALLATION OF THE LIFT.  
DIMENSIONS- CONTRACTOR/CUSTOMER TO VERIFY ALL DIMENSIONS AND REPORT ANY DISCREPANCIES TO OUR OFFICE IMMEDIATELY.  
\*STRUCTURAL- FLOOR/SUPPORT WALL LOADS- STRUCTURAL ENGINEER TO ASSURE THAT BUILDING AND SHAFT WALL SAFELY SUPPORT ALL LOADS IMPOSED BY THE LIFT EQUIPMENT. REFER TO THE TABLES ON THIS DRAWING FOR LOADS IMPOSED BY THE EQUIPMENT.  
WHERE DOORS ARE REQUIRED- SUITABLE LINTELS MUST BE PROVIDED BY OWNER/AGENT. DOOR FRAMES ARE NOT DESIGNED TO SUPPORT OVERHEAD WALL LOADS.  
\*MACHINE ROOM- LOCATION / ACCESS- MACHINE ROOM LOCATED AT THE LOWEST LEVEL ADJACENT TO HOISTWAY, UNLESS SHOWN OTHERWISE ON THE LAYOUT DRAWINGS. FIELD SITE ADJUSTMENTS OR REGULATIONS NECESSARY TO MEET JOB SITE CONDITIONS OR REGULATIONS. ACCESS TO MACHINE ROOM TO BE THROUGH A SELF CLOSING LOCKING DOOR. SLEEVES FOR OIL & ELECTRIC LINES- FROM MACHINE ROOM TO RUNWAY AS REQUIRED. (POSITION PER INSTALLERS INSTRUCTIONS).

COMMERCIAL WHEELCHAIR LIFT  
PROLIFT SCL MODEL 3554 TYPE 1R

CUSTOMER:	DATE:	
PROJECT:	REVISION DATE:	
LOCATION:	COMPLETED BY:	JOB No.
		SHEET No.